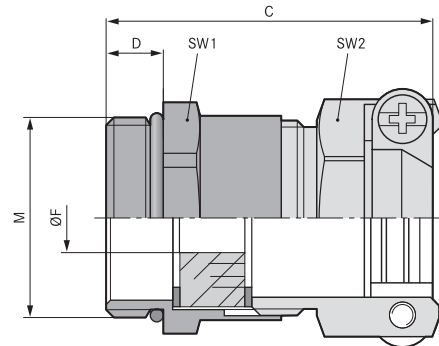


**SKINDICHT® SKZ-M**



SKINDICHT® SKZ-M



■ **Benefits**

- Incised sealing ring can be adjusted to clamp several cable diameters
- High strain relief
- High mechanic stability

■ **Application range**

- Saddle clamp strain relief gland for raw applications.
- Building sites
- Plant engineering
- Drives

■ **Approvals (Norm references)**



■ **Design**

- Metric connection thread acc. to EN 50262

■ **Note**

- SKINDICHT® SHZ-M-XL is similar to the SKINDICHT® SHZ-M, but has an extended connection thread for thick walls
- Counter nut to be used SKINDICHT® SM-M
- For additional accessories see SKINDICHT® EV

■ **Technical data**

- Caution**  
Installation dimensions see Appendix T21
- On request**  
Available with Viton® incised ring and Viton® O-ring
- Material**  
Body: Nickel plated brass  
Incised sealing ring: CR/NBR  
O-ring: NBR
- Degree of protection**  
IP 55
- Range of temperature**  
-20°C up to +80°C

Part number	Part designation / size	ØF mm	Max. fitting size for installation in mm	Function thread PG	SW1 / SW2 mm	Overall length C mm	Thread length D mm	Pieces / PU
<b>SKINDICHT® SKZ-M</b>								
52106800	16 x 1,5	5.0 - 8.0	24	9	18 / 17	29.0	5.0	50
52106810	20 x 1,5	7.0 - 12.0	27	11	22 / 20	30.0	6.0	50
52106820	20 x 1,5	11.0 - 13.0	30	13.5	22 / 22	33.5	6.0	25
52106830	20 x 1,5	13.0 - 15.0	33	16	24 / 24	34.5	6.0	25
52106840	25 x 1,5	16.0 - 19.3	42	21	30 / 30	41.0	7.0	25
52106850	32 x 1,5	19.0 - 27.0	58	29	40 / 41	46.0	8.0	10
<b>SKINDICHT® SKZ-M-XL</b>								
52106805	16 x 1,5	5.0 - 8.0	24	9	18 / 17	34.0	10.0	50
52106815	20 x 1,5	7.0 - 12.0	27	11	22 / 20	34.0	10.0	50
52106825	20 x 1,5	11.0 - 13.0	30	13.5	22 / 22	37.5	10.0	25
52106835	20 x 1,5	13.0 - 15.0	33	16	24 / 24	38.5	10.0	25
52106845	25 x 1,5	16.0 - 19.3	42	21	30 / 30	45.0	11.0	25
52106855	32 x 1,5	19.0 - 27.0	58	29	40 / 41	51.0	13.0	10

Viton® is a registered trademark of DuPont de Nemours